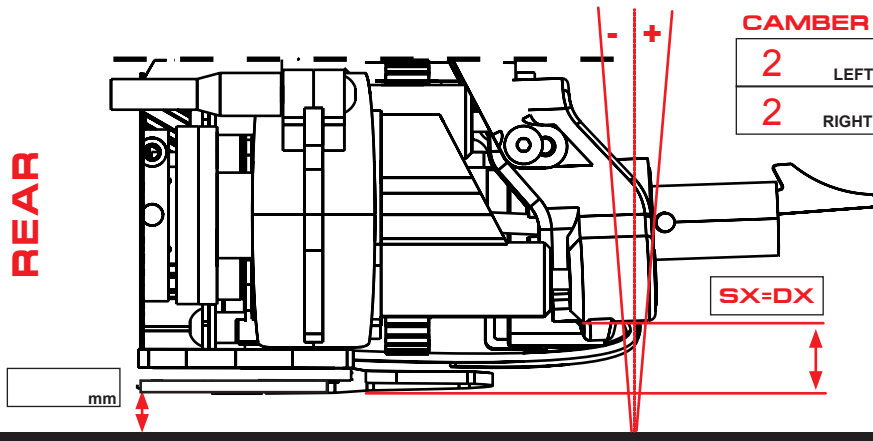


SETUP STANDARD

P8C

REAR

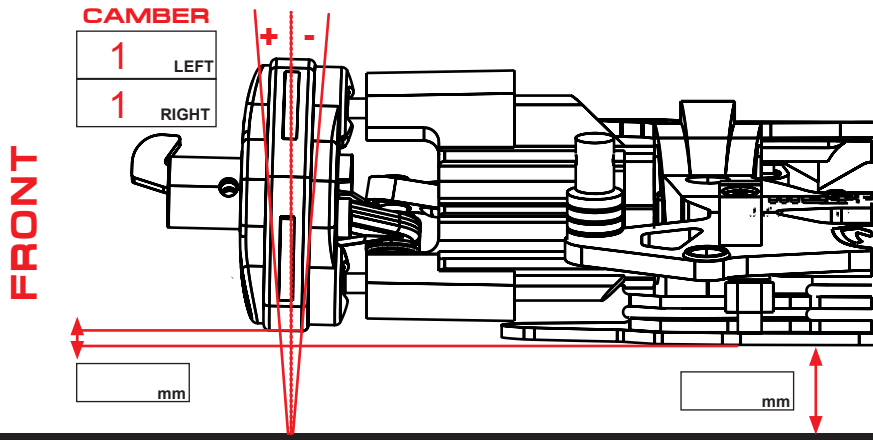


CAMBER

2	LEFT
2	RIGHT

SX=DX

FRONT



CAMBER

1	LEFT
1	RIGHT

FRONT

REAR

LEFT RIGHT TYRES LEFT RIGHT

ATS		TYPE	ATS	
37	37	SHORE	35	35
68 mm	68 mm	DIAMETER	76 mm	76 mm

SPUR GEAR

PINION

<input type="checkbox"/>	<input type="checkbox"/>	<input checked="" type="checkbox"/>
45	46	47

<input type="checkbox"/>	<input checked="" type="checkbox"/>	<input type="checkbox"/>
18	19	20

FRONT

REAR

CONVERGENZA / TOE

FRONT	1.5	REAR	3
-------	-----	------	---

CARREGGIATA / WIDTH

mm	253	mm	264
----	-----	----	-----

CARROZZERIA / BODY

TYPE LOLA FASTOM SPOILER

POSIT. 8 mm

SET-UP SHEET

NAME STANDARD

TRACK

RESULT