

Name _____

Date **28/02/2007**

Temp. _____

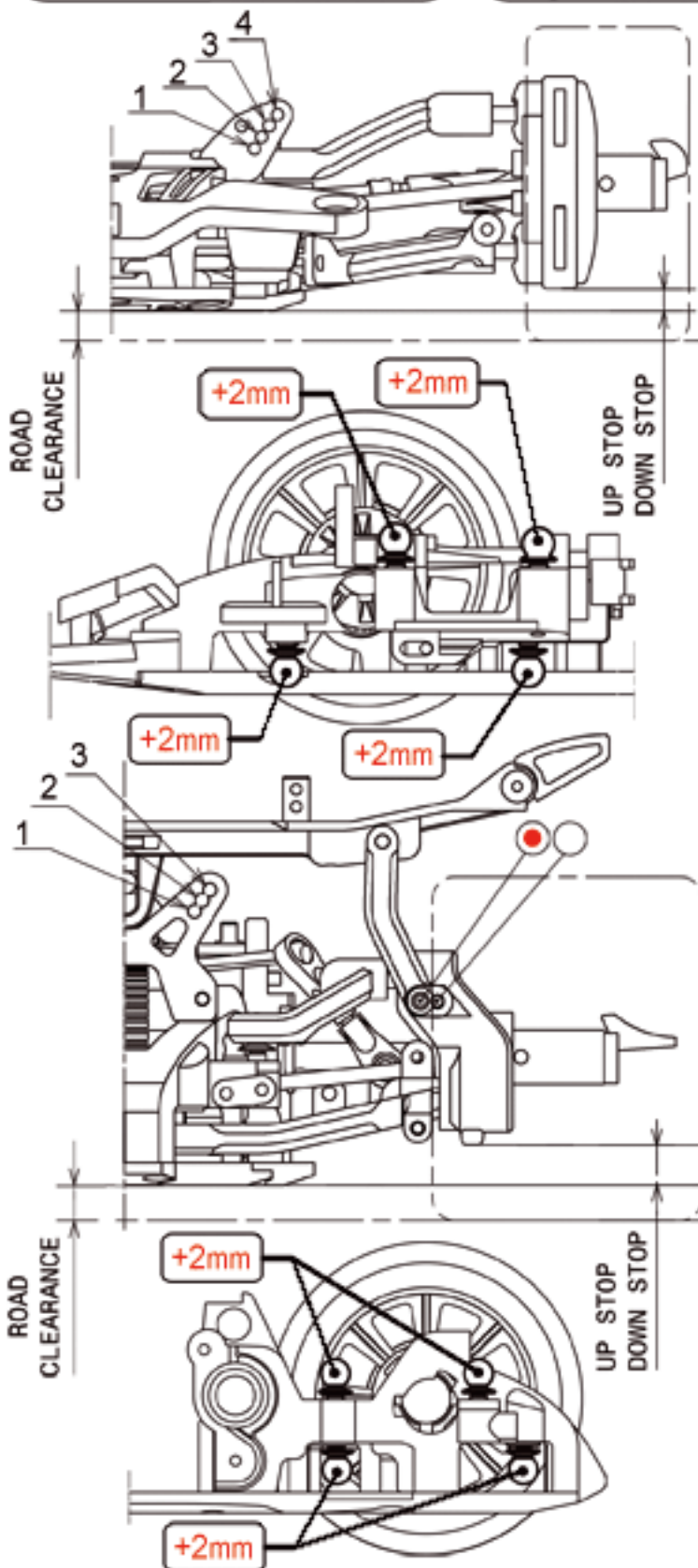
Track _____

Traction _____

Engine _____

1/8th Scale 4WD Gas Powered Racing Car

MP8.0R
MOTONICA
SETUP



Front Suspension

Up Stop	_____
Down Stop	2mm
Front width	252mm
Toe Angle	-2°
Camber Angle	1°/1,5°
Caster	2mm from rear
Front Antiroll Bar	<input checked="" type="checkbox"/> <input type="checkbox"/> <input type="checkbox"/> <input type="checkbox"/> <input type="checkbox"/>
Shock Oil	500
Shock Piston	Ø1,2mm 1 hole
Spring	black
Spring Adjuster	max
Shock Pos	3

Tyre Type

Tyre Hardness	_____
Tyre Diameter	69mm
Road Clearance	6,5mm

Rear Suspension

Up Stop	_____
Down Stop	4mm
Rear width	262mm
Toe Angle	3°
Camber Angle	2°/2,5°
Rear Antiroll Bar	<input checked="" type="checkbox"/> <input type="checkbox"/> <input type="checkbox"/> <input type="checkbox"/> <input type="checkbox"/>
Shock Oil	500
Shock Piston	Ø1,2mm 2 holes
Spring	black
Spring Adjuster	medium
Shock Pos	2

Clutch Shoe	Pinion Gear 17/20
Clutch Spring	Spur Gear 46/49
Clearance	_____
Adj Nut	Rear Spoiler _____

Tyre Type	_____
Tyre Hardness	_____
Tyre Diameter	76mm
Road Clearance	8,5mm